

# evr-green® 4000

## Level 2 Public Use Charging Stations

Featuring ChargePoint Network Services



Evr-Green® 4000 Level 2 Public Use Charging Stations provide corporations, municipalities and utilities industry leading EV charging solutions. Integrating design and functionality with superior reliability and durability, the Evr-Green charging stations are ideal for workplace, commercial, or outdoor public charging. They are available in bollard and wall mount configurations for easy installation anywhere.

For applications where available power may be limited, the innovative power sharing feature enables two charging ports to share a single circuit, allowing for sites with single port EV stations to upgrade to dual port stations without requiring additional electrical services. For new installations, these stations require half the electrical capacity and installation complexity of comparable dual port stations.

Models are available with two standard SAE J1772™ Level 2 charging ports, each supplying up to 7.2kW (208/240VAC @ 30A). The need for drivers to coil up the cord is eliminated with the self-retracting cord management system, ensuring that the cord is always off the ground when not in use.

-chargepoint+



## Features and Benefits

ChargePoint Software Service Plans let you control access, set pricing, display advertising, monitor status, and generate usage reports while ChargePoint provides 24/7/365 call center support to drivers so you don't have to.

### LCD Display Allows for Customizable Video

- Daylight readable, with auto brightness control
- 640X480 resolution active matrix
- Full motion 30fps video support
- Download up to 60 seconds of full-motion, full-color video to any arbitrary group of stations as often as you like<sup>1</sup>
- Brand your charging stations and communicate with drivers
- Multiple language support allows drivers to select English, French or Spanish

### Energy Measurement and Management

- Real-time energy measurement
- 15 minute interval recording
- Time of day (TOD) pricing
- Load shed by % of running average or to fixed power output

### Hassle-Free Cord Management

- Keep charging cords off the ground and out of drivers hands
- Ultra-reliable second-generation gravity operated mechanism

### Power Sharing (patent pending)

- Share one 40A 208/240 circuit between two parking spaces
- Single vehicle charges at full 6.2/7.2kW (30A @208/240V) and two vehicles simultaneously charge at 3.3/3.8kW (16A@ 208/240V) each

### Multi-format RFID Card Reader

- ISO 15693, ISO 14443 and NFC
- Accepts ChargePoint cards as well as Visa PayWave, MasterCard PayPass, American Express ExpressPay, and Discover Zip contactless credit cards

<sup>1</sup> Video service plan required

The 5.7" LCD display provides full motion charging instructions in a clear and simple format. It also allows station owners to deliver advertising messaging.

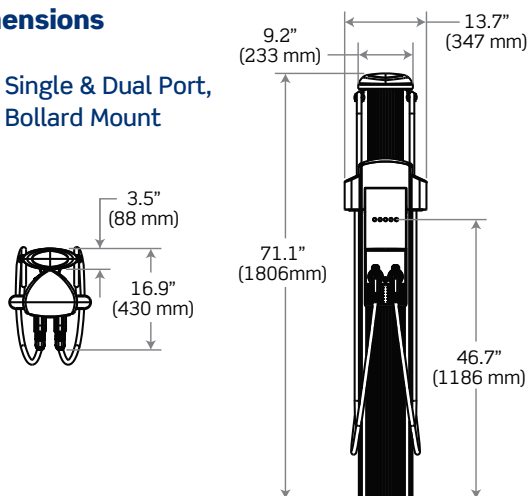
Driver interaction is supported in any weather by five rugged, back-lit buttons with audio feedback.



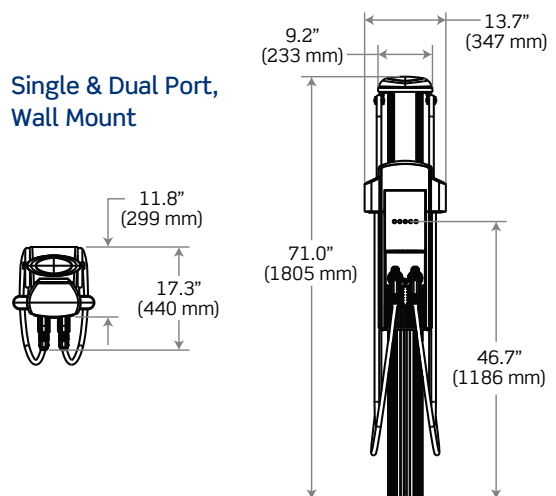
Listed by Underwriters Laboratories Inc. 

## Dimensions

### Single & Dual Port, Bollard Mount



### Single & Dual Port, Wall Mount



## Specifications

Electrical Input	Single Port	Dual Port
AC Power Input Rating – Standard	208/240VAC 60Hz single phase @ 30A	208/240VAC 60Hz single phase @ 30 x 2
AC Power Input Rating – Power Sharing	n/a	208/240 VAC 60Hz single phase @ 32A
Input Power Connections – Standard	One 40A branch circuit	Two independent 40A branch circuits
Input Power Connections – Power Sharing	n/a	One 40A branch circuit
Required Service Panel Breaker – Standard	40A dual pole (non-GFCI type)	40A dual pole (non-GFCI type) x 2
Required Service Panel Breaker – Power Sharing	n/a	40A dual pole (non-GFCI type)
Service Panel GFCI	Do not provide external GFCI as it may conflict with internal GFCI (CCID)	
Wiring – Standard	3-wire (L1, L2, Earth)	5-wire (L1, L1, L2, L2, Earth)
Wiring – Power Sharing	n/a	3-wire (L1, L2, Earth)
Station Power	8W typical (standby), 15W maximum (operation)	

Electrical Output		
AC - Standard	7.2kW (240VAC @ 30A)	7.2kW (240VAC @ 30A) x 2
AC - Power Sharing	n/a	7.2kW (240VAC @ 30A) x 1 OR 3.8kW (240VAC @ 16A) x 2

Functional Interfaces		
Connector(s) Type	SAE J1772™	SAE J1772™ x 2
Charging Cable Length	18' (5.5 meters)	18' (5.5 meters) x 2
Overhead Cable Management System	Yes	
LCD Display	5.7" full color, 640x480, 30fps full motion video, active matrix, UV protected	
Card Reader	ISO 15693, 14443, NFC	
Locking Holster	Yes	Yes x 2

Safety and Connectivity Features	
Ground Fault Detection	20mA CCID with auto retry
Open Safety Ground Detection	Continuously monitors presence of safety (green wire) ground connection
Plug-Out Detection	Power terminated per SAE J1772™ specifications
Power Measurement Accuracy	+/- 2% from 2% to full scale (32A)
Power Report/Store Interval	15 minute, aligned to hour
Local Area Network	2.4 GHz Wi-Fi (802.11 b/g/n)
Wide Area Network	3G GSM, 3G CDMA

Safety and Operational Ratings	
Enclosure Rating	Type 3R per UL 50E
Safety Compliance	UL listed for USA and cUL certified for Canada; complies with UL 2594, UL 2231-1, UL 2231-2, and NEC Article 625
Surge Protection	6kV @ 3000A. In geographic areas subject to frequent thunder storms, supplemental surge protection at the service panel is recommended.
EMC Compliance	FCC Part 15 Class A
Operating Temperature	-22°F to 122°F (-30°C to +50°C)
Operating Humidity	up to 85% @ +50°C (122°F) non-condensing
Non-Operating Humidity	up to 95% @ +50°C (122°F) non-condensing
Terminal Block Temperature Rating	221°F (105°C)
Maximum Charging Stations per 802.11 Radio Group	10. Each station must be located within 150 feet "line of sight" of a gateway station.

ChargePoint, Inc. reserves the right to alter product offerings and specifications at any time without notice, and is not responsible for typographical or graphical errors that may appear in this document.

Dual Port, Bollard Mount



Dual Port, Wall Mount



## evr-green® Level 2 Public Use Charging Stations

Evr-Green Level 2 Public Use Charging Stations are comprised of four sections:

Mounting Mechanism • Cable Management Assembly • Head Unit • Mounting Cap

To order a Level 2 Public Use Charging Station, select a mounting mechanism, cable management assembly, head unit and mounting cap. A complete system must contain items from each system section.

Cat. No.	Description
<b>Mounting Mechanism</b>	
CPMBX	Bollard Mounting Body
CPMEX	Wall Mounting Body
<b>Cable Management Assembly</b>	
CPCBX	Retractable Cord Management Assembly
<b>Head Unit</b>	
Select a Head Unit for the station. Each installation requires at least one gateway unit. The gateway head contains the cellular modem for communication with the ChargePoint network.	
CPHG1	Gateway Head, Single Port, US SIM, (1) 18ft charging cable, 1-Year Token for 1 Level 2 Port. Activation requires submission of Master Service Agreement.
CPHD1	LAN Head, Single Port, US & Canada, (1) 18ft charging cable, 1-Year Token for 1 Level 2 Port. Activation requires submission of Master Service Agreement.
CPHG2	Gateway Head, Dual Port, US SIM, (2) 18ft charging cables, 1-Year Token for 2 Level 2 Ports. Activation requires submission of Master Service Agreement.
CPHD2	LAN Head, Dual Port, US & Canada, (2) 18ft charging cables, 1-Year Token for 2 Level 2 Ports. Activation requires submission of Master Service Agreement.
<b>Mount Cap</b>	
CPCAP-B	Bollard Mount Cap
CPCAP-W	Wall Mount Cap
<b>Charging Station Software</b>	
The ChargePoint Network Service includes online software which provides station owners with real-time station monitoring, station reporting, and billing software. To use the ChargePoint Network Services, station owners must complete ChargePoint's Master Service & Subscription Agreement.	

### Leviton Manufacturing Co., Inc.

201 N Service Rd, Melville, NY 11747

### Leviton Manufacturing of Canada, Ltd.

165 Hymus Blvd, Pointe-Claire, QC H9R 1E9

### Leviton S. de R.L. de C.V.

Lago Tana 43, Col. Huichapan, Miguel Hidalgo, CP 11290 México DF

For more information call 1-877-338-7473 or visit us at [leviton.com/evrgreen](http://leviton.com/evrgreen)

© 2014 Leviton Manufacturing Co., Inc. All rights reserved.

Specifications subject to change without notice. ChargePoint is a registered trademark of Coulomb Technologies, Inc.

